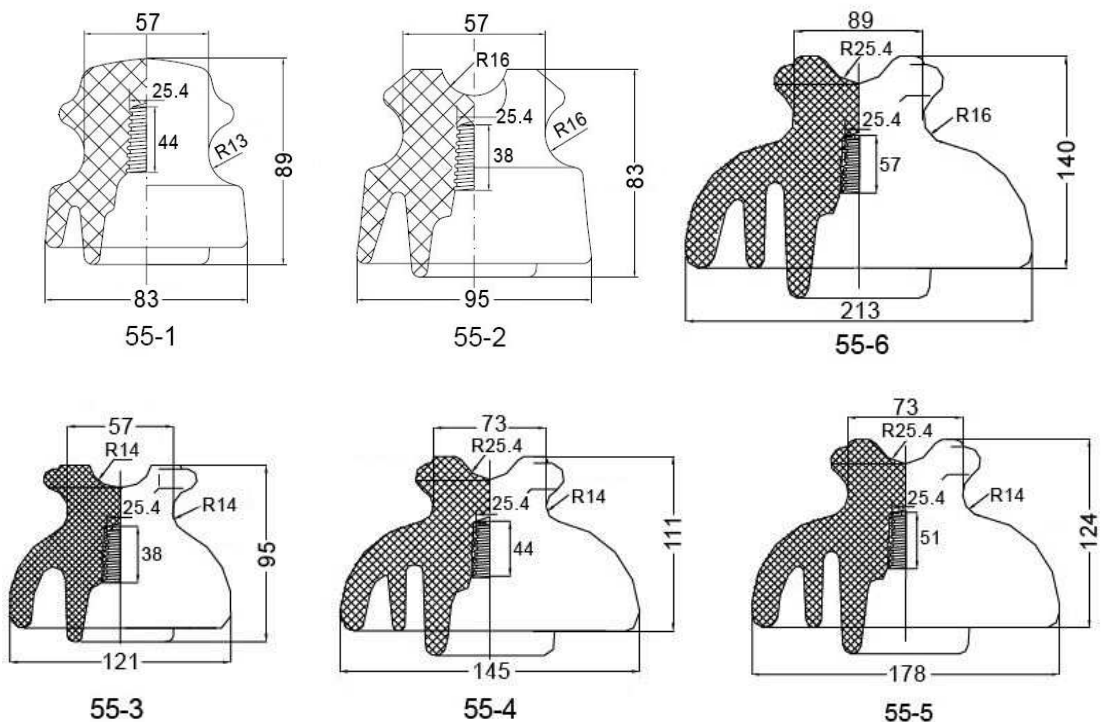




Porcelain Pin Insulator (Low and Medium Voltage, ANSI Standard)



ANSI Class		55-1	55-2	55-3	55-4	55-5	55-6
Catalogue No.		W55-1	W55-2	W55-3	W55-4	W55-5	W55-6
Neck Designation		C	C	C	F	F	J
Leakage Distance (mm)		102	127	178	229	305	381
Dry Arc Distance (mm)		57	86	114	127	159	203
Cantilever Strength; kN		13.3	11.1	11.1	13.3	13.3	190
Low Frequency Flashover Voltage	Dry; kV	35	45	55	65	80	100
	Wet; kV	20	25	30	35	45	50
Critical Impulse Flashover Voltage	Pos; kV	50	70	90	105	130	150
	Neg; kV	70	85	110	130	150	170
Low Fre. Puncture Voltage; kV		50	70	90	95	115	135
Radio Influence Voltage	Test Voltage Ground kV	5	5	10	10	15	22
	Max. RIV at 1000kHz us	50	50	50	50	100	100
Weight		1.2	1.4	2.4	3.7	6.4	8.5

Brown and Grey color is available upon request.



Porcelain Pin Insulator (High Voltage, ANSI Standard)

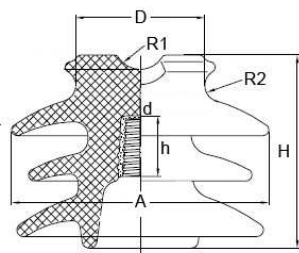


FIG. 1

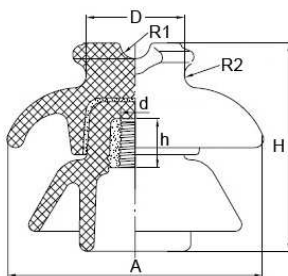


FIG. 2

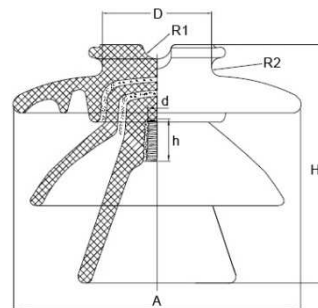


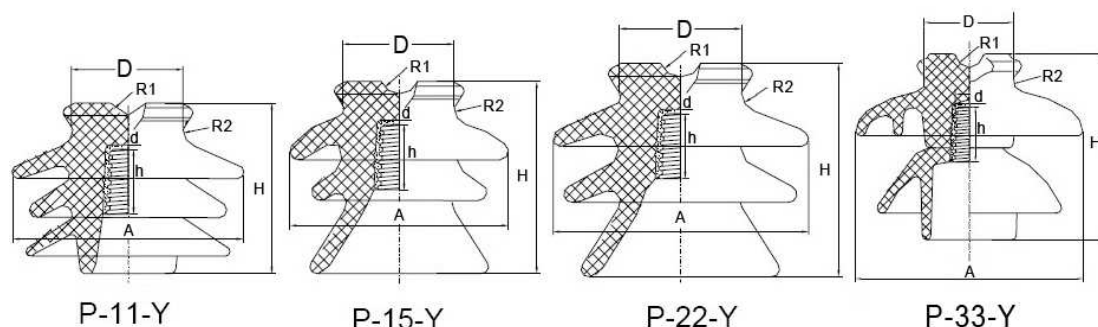
FIG. 3

ANSI Class		56-1	56-2	56-3	56-4	56-5
Catalogue No.		W56-1	W56-2	W56-3	W56-4	W56-5
Figure No.		1	1	2	2	3
Main Dimensions (mm)	H	146	165	191	241	318
	h	51	51	51	51	63.5
	D	102	102	102	127	127
	d	35	35	35	35	35
	A	191	228	267	305	343
	R1	19	19	19	19	19
	R2	14	14	14	14	14
Leakage Distance (mm)		330	432	533	686	865
Dry Arc Distance (mm)		178	210	241	286	356
Cantilever Strength; kN						
Low Frequency Flashover Voltage	Dry; kV	95	110	125	140	175
	Wet; kV	60	70	80	95	125
Critical Impulse Flashover Voltage	Pos; kV	150	175	200	225	270
	Neg; kV	190	225	265	310	340
Low Fre. Puncture Voltage; kV		13	145	165	185	225
Radio Influence Voltage	Test Voltage Ground kV	15	22	30	44	44
	Max. RIV at 1000kHz us	100	100	200	200	200
Weight		7.3	11	17	24	30

Brown and Grey color is available upon request.



Porcelain Pin Insulator (BS Standard)

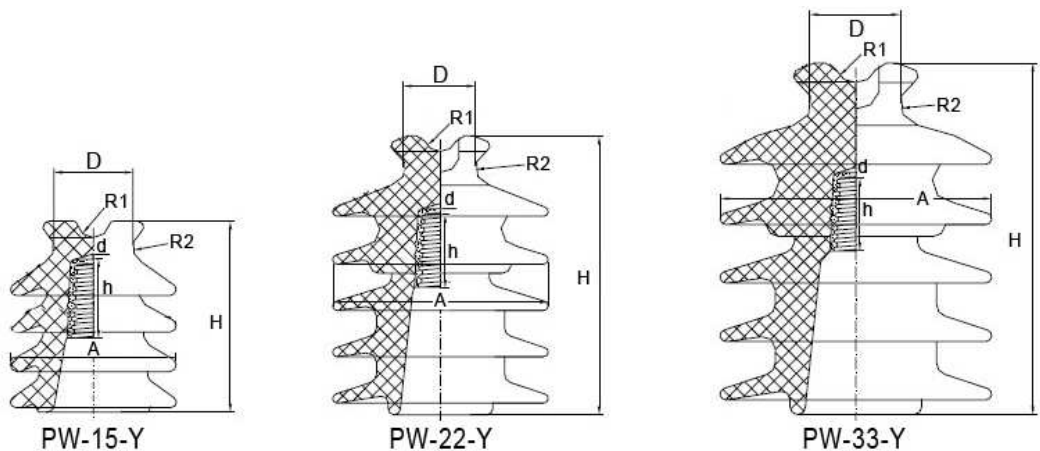


Class		P-11-Y	P-15-Y	P-22-Y	P-33-Y
Catalogue No.		WP11Y	WP15Y	WP22Y	WP33Y
Rated Voltage kV		11	15	22	33
Main Dimensions (mm)	H	133	137	165	244
	h	48	48	52	52
	D	102	121	143	143
	d	18.3	27.8	27.8	27.8
	A	140	152	230	279
	R1	13	13	19	19
	R2	9.5	13	14	13
Leakage Distance (mm)		255	298	432	630
Protected Leakage Distance (mm)		102	133	200	380
Cantilever Strength; kN		11	11	11	13
Power Frequency Flashover Voltage	Dry; kV	75	80	110	130
	Wet; kV	50	55	70	95
Power Frequency Withstand Voltage	Dry; kV	65	70	100	125
	Wet; kV	45	50	65	90
Impulse Withstand Flashover Voltage	Pos; kV	115	130	175	215
	Neg; kV	150	175	225	290
Radio Influence Voltage	Test Voltage Ground kV	15	15	22	30
	Max. RIV at 1000kHz us	100	100	100	200
Weight		1.7	2.0	2.3	11.5

Brown and Grey color is available upon request.



Porcelain Pin Insulator (BS Standard)

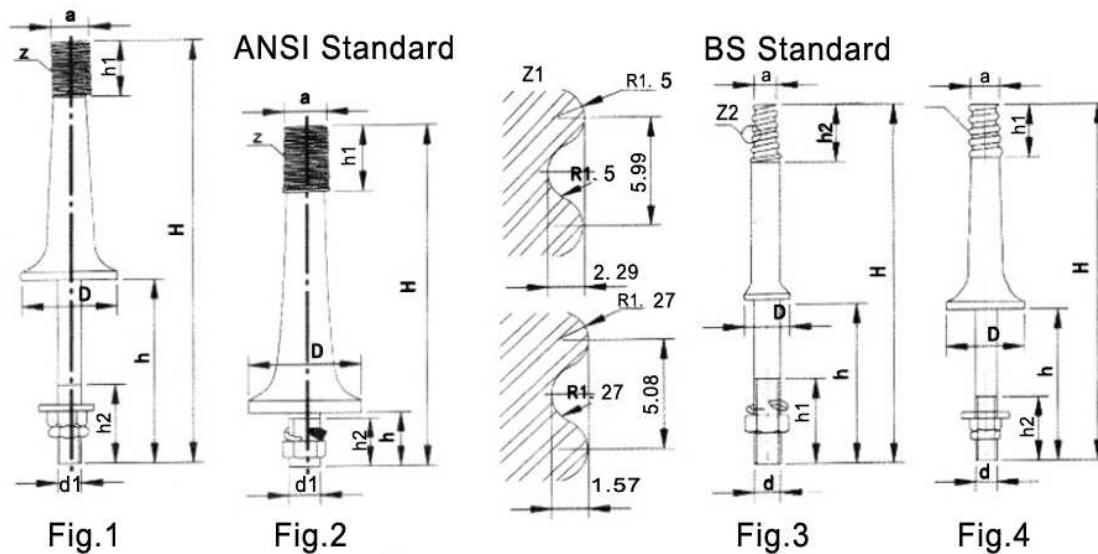


Class		PW-15-Y	PW-22-Y	PW-33-Y
Catalogue No.		WPW15Y	WPW22Y	WPW33Y
Rated Voltage kV		15	22	33
Main Dimensions (mm)	H	185	255	320
	h	52	52	52
	D	76	76	76
	d	27.8	27.8	27.8
	A	170	205	240
	R1	16	16	16
	R2	16	16	16
Leakage Distance (mm)		432	673	900
Protected Leakage Distance (mm)		197	267	340
Cantilever Strength; kN		11	11	11
Power Frequency Flashover Voltage	Dry; kV	100	125	140
	Wet; kV	65	95	110
Power Frequency Withstand Voltage	Dry; kV	90	110	125
	Wet; kV	60	90	100
Impulse Withstand Flashover Voltage	Pos; kV	150	190	210
Radio Influence Voltage	Test Voltage Ground kV	22	33	44
	Max. RIV at 1000kHz us	100	200	200
Weight		5	10	13

Brown and Grey color is available upon request.



Spindle for Pin Insulators



Catalog No.	Fig.	Main Dimensions							Mechanical Strength (kN)	ANSI Class	Weight (kg)
		H	D	h	h1	H	a	d1			
WPS-1	1	330	76	178	51	76	34.90	20	11	56-1	1.90
WPS-2	1	356	76	178	51	76	34.90	20	9	56-2	2.20
WPS-3	1	407	89	178	51	76	34.90	20	10	56-3	2.50
WPS-4	1	432	89	178	51	76	34.90	20	9	56-4	3.25
WPS-5	1	343	45	165	51	76	34.90	20	6	56-2	1.60
WPS-6	2	198	76	45	51	40	34.90	2020	11	56-1	1.54
WPS-7	2	223	76	45	51	40	34.90	20	9	56-2	1.87
WPS-8	2	274	89	45	51	40	34.90	20	10	56-3	2.17
WPS-9	2	299	89	45	51	40	34.90	20	9	56-4	2.70
WPS-10	2	223	45	45	51	40	34.90	20	6	56-2	1.30
WPS-11	1	356	76	76	51	76	34.90	16	5	56-2	1.90
WPS-12	3	305	38	140	74	45	34.90	20	5	BS	1.00
WPS-13	3	352	41	127	80	45	18.29	22	5		1.20
WPS-14	3	215	38	5	44	45	18.29	20	5		0.75
WPS-15	4	261	60	46	47	41	27.78	22	10	BS	1.50
WPS-16	4	369	51	140	47	78	27.78	22	10		2.00

Spindles are made of Hot Dip Galvanized Steel, custom sizes are available.